

ELKAY[®]

SPECIFICATIONS

Pursuit™ Laundry/Utility Undermount Sinks Models PLAUH141810, PLAUH3120L and PLAUH3120R

GENERAL

Highest quality sink formed of #18 gauge, type 316 nickel bearing stainless steel. Undermount.

DESIGN FEATURES

Bowl Depth: 10" (PLAUH141810); 9-7/8" and 7-7/8" (PLAUH3120L/R).

Coved Corners: 1-3/4" vertical and horizontal radius.

Finish: Exposed surfaces are hand blended to a lustrous high-lighted satin finish.

Underside: Fully protected by heavy duty enhanced Sound Guard[®] undercoating to dampen sound and prevent condensation.

OTHER

Drain Opening: 3-1/2".

Recommended Drain: LK335, LK372.

Suffix L (left) or R (right) denotes location of the small bowl.

NOTE: All Elkay undermount sinks are designed to affix to the underside of any solid surface countertop.

Installation: See illustrated profile below.

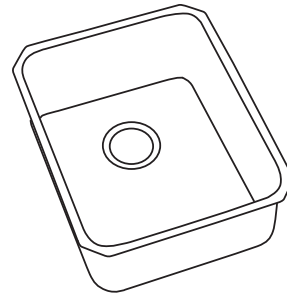
These sinks comply with ASME A112.19.3.

SINK DIMENSIONS (INCHES)*

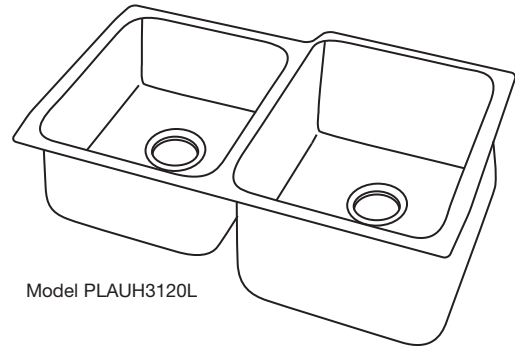
| Model Number | Overall | | Inside Bowl | | | Cutout in Countertop | Minimum Cabinet Size | | | |
|--------------|---------|--------|------------------|----|-------|----------------------|----------------------|-------|----------------------|----------------------|
| | L | W | L | W | D | | | | | |
| PLAUH141810 | 16 1/2 | 20 1/2 | 14 | 18 | 10 | See Template** | 24 | | | |
| Model Number | Overall | | Inside Left Bowl | | | Inside Right Bowl | | | Cutout in Countertop | Minimum Cabinet Size |
| | L | W | L | W | D | L | W | D | | |
| PLAUH3120L | 31 1/4 | 20 1/2 | 13 1/2 | 16 | 7 7/8 | 14 | 18 | 9 7/8 | See Template** | 36 |
| PLAUH3120R | 31 1/4 | 20 1/2 | 14 | 18 | 9 7/8 | 13 1/2 | 16 | 7 7/8 | See Template** | 36 |

*Length is left to right. Width is front to back.

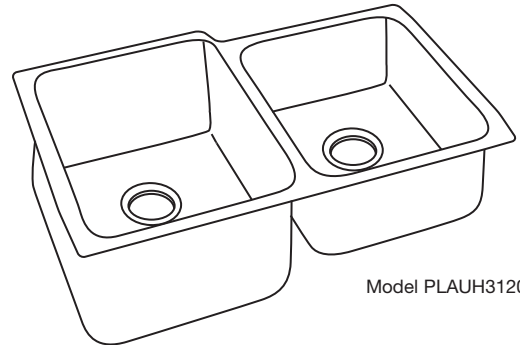
**Template and countertop mounting brackets are packed with every sink.



Model PLAUH141810



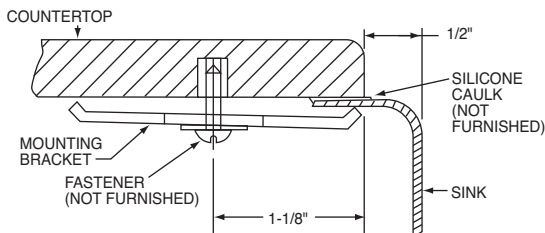
Model PLAUH3120L



Model PLAUH3120R

Installation Profile

The template provided with each PLAUH sink provides the only type of installation recommended by Elkay.



SEE OTHER SIDE FOR PRODUCT DIMENSIONS.

ALL DIMENSIONS IN INCHES, TO CONVERT TO MILLIMETERS MULTIPLY BY 25.4.

In keeping with our policy of continuing product improvement, Elkay reserves the right to change product specifications without notice.

This specification describes an Elkay product with design, quality and functional benefits to the user. When making a comparison of other producers' offerings, be certain these features are not overlooked.

Elkay

elkayusa.com

2222 Camden Court
Oak Brook, IL 60523

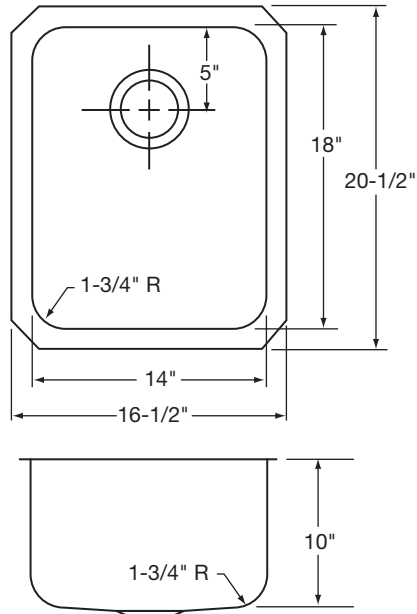
Printed in U.S.A.
©2007 Elkay

(12/07)

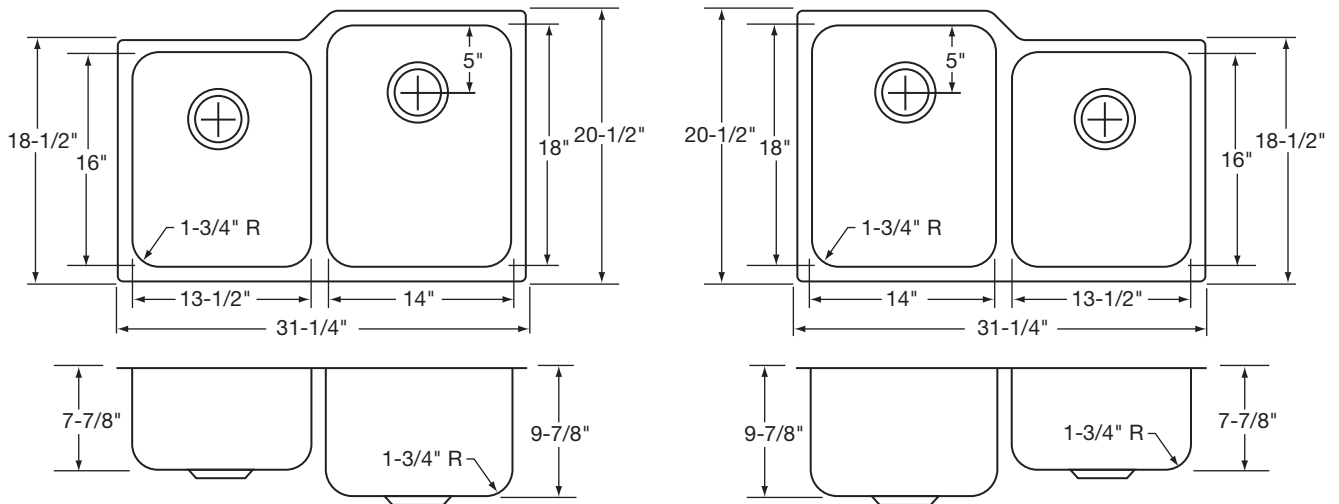
1-291

Pursuit™ Laundry/Utility Undermount Sinks
Models PLAUH141810, PLAUH3120L
and PLAUH3120R

ELKAY®
SPECIFICATIONS



Model PLAUH141810 Illustrated



Model PLAUH3120L Illustrated

Model PLAUH3120R Illustrated